



Cutting head

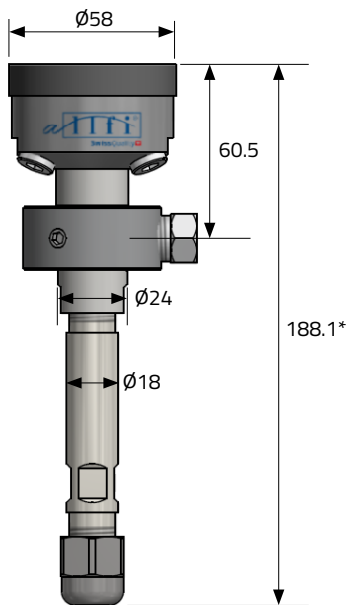
# Type X, PWJ

## Features

- Compact and light design
- Short switching cycles
- Optional monitoring sensor
- Easy to maintain with special tooling
- Suitable for robotic applications
- Custom version available upon request



## Technical Details



\*All dimensions are in (mm)\*

907000	Cutting Head Type X
907000-I	Cutting Head Type X, Imperial
Max. Pressure	4,150 bar / 60,000 psi
Weight	840 g / 1.85 lbs
Air Pressure	6 bar / 87 psi
Orifice Type	90 / 91 / 94
Collimation Tube	Standard 107.5 mm
Optional Accessory	032151 Inductive Proximity Sensor

\* Dimensions refer to standard collimation tube and orifice type 90 and 94.

For more information

ALLFI website : [allfi.com](http://allfi.com)  
 ALLFI webshop : [allfiwaterjetparts.com](http://allfiwaterjetparts.com)  
 Contact us : [info@allfi.com](mailto:info@allfi.com)

Superior Waterjet Parts

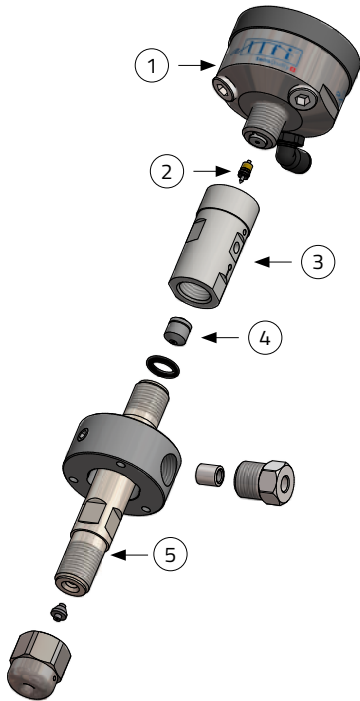




Cutting head

# Type X, PWJ

## Spare Parts and Tools



Part Number	Description
<b>Spare Parts</b>	
1 907290	Pneumatic Cylinder Type X
2 907230	Seal Kit
3 907210	Valve Case
4 907214	Valve Seat
5 900052	Collimation Tube L=107.5 mm
<b>Spare Part Sets</b>	
890036	Spare Part Set (907230 x 2 / 907214 x 1)
890037	Spare Part Set (907230 x 6 / 907214 x 3)
890038	Spare Part Set (907230 x 10 / 907214 x 5)
<b>Tools</b>	
882101	Tool Kit for Cutting Head



882101 - Tool Kit for Cutting Head

For more information

ALLFI website : [allfi.com](http://allfi.com)  
 ALLFI webshop : [allfiwaterjetparts.com](http://allfiwaterjetparts.com)  
 Contact us : [info@allfi.com](mailto:info@allfi.com)

Superior Waterjet Parts

